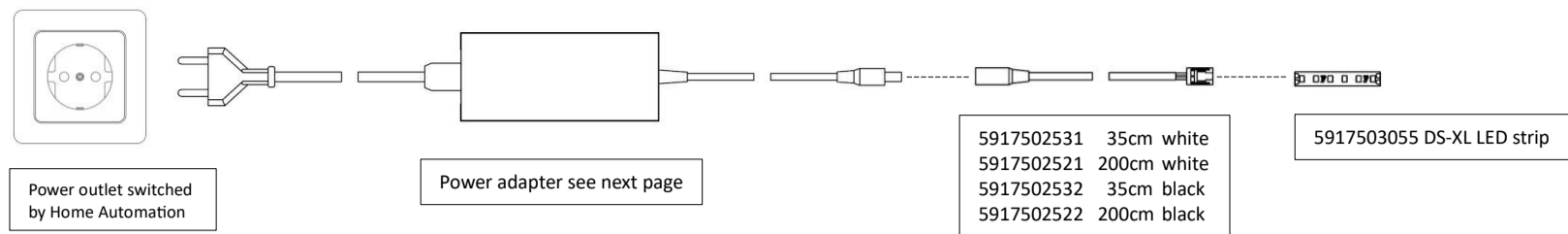
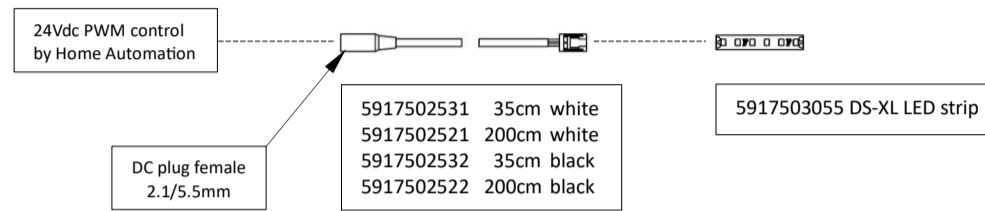


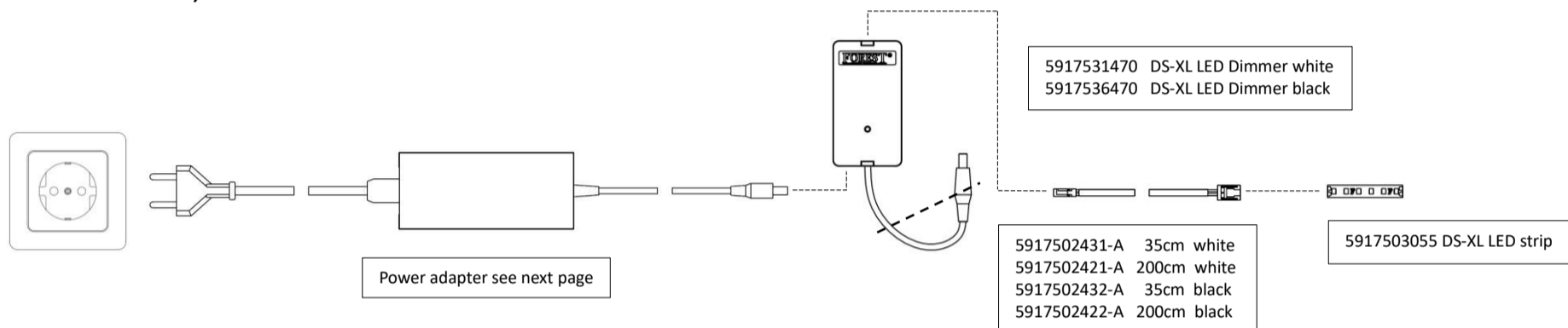
DS-XL LED manual, control by Home Automation / Forest Smart plug / 3rd party Smart plug



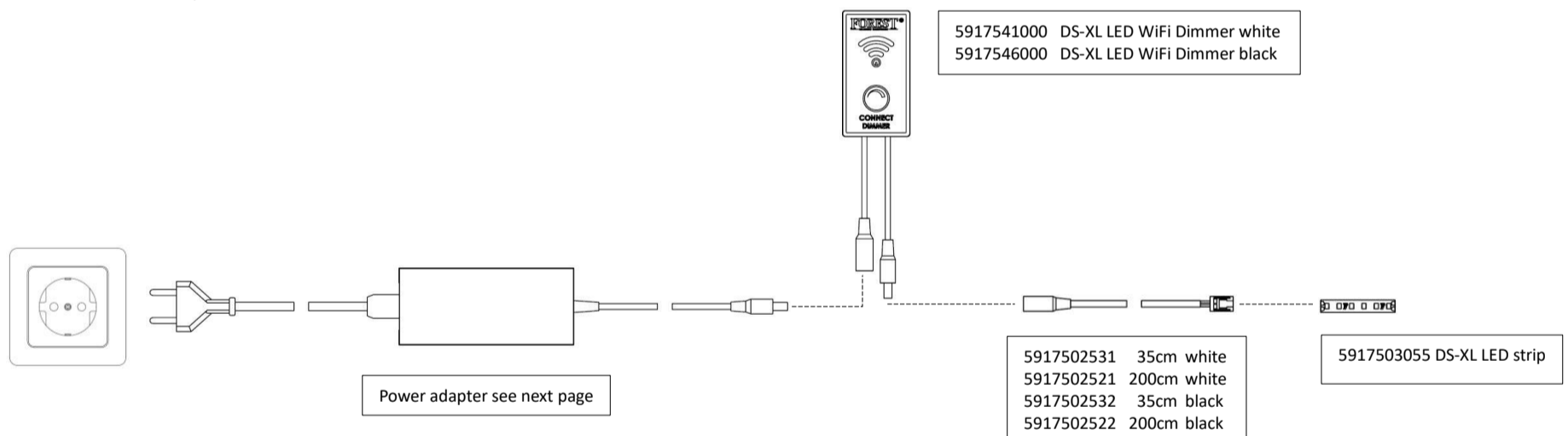
DS-XL LED manual, 24Vdc PWM control by Home Automation



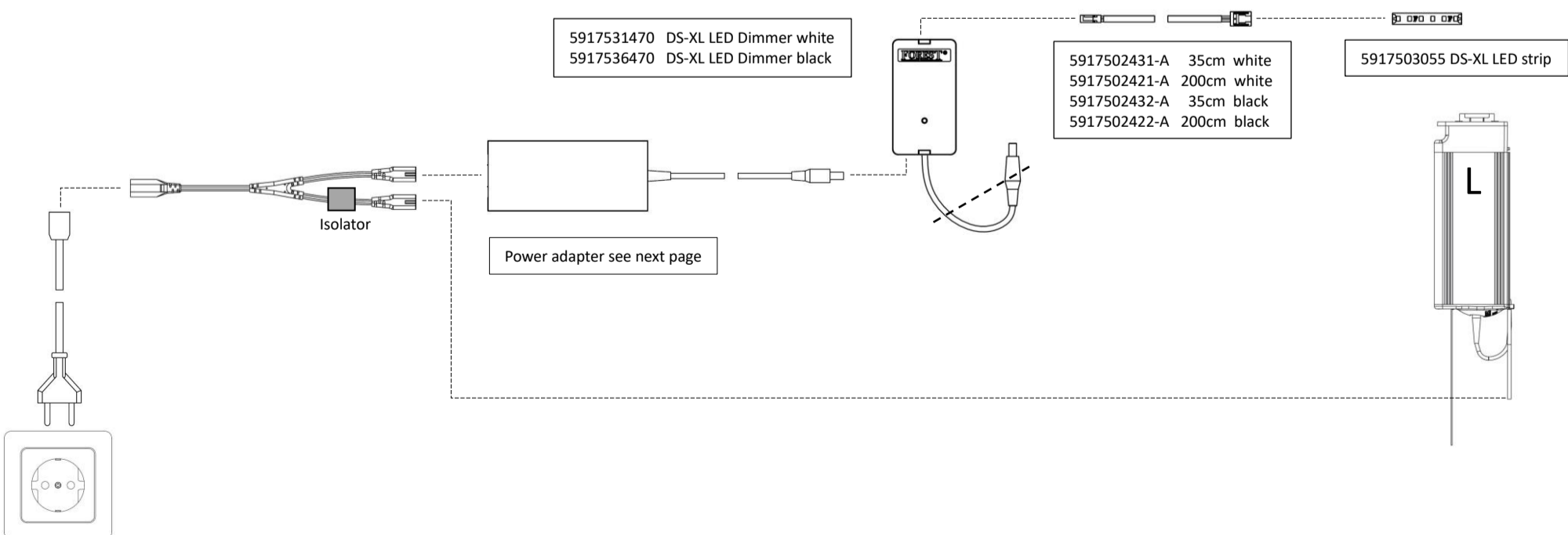
DS-XL LED manual, Forest RF dimmer



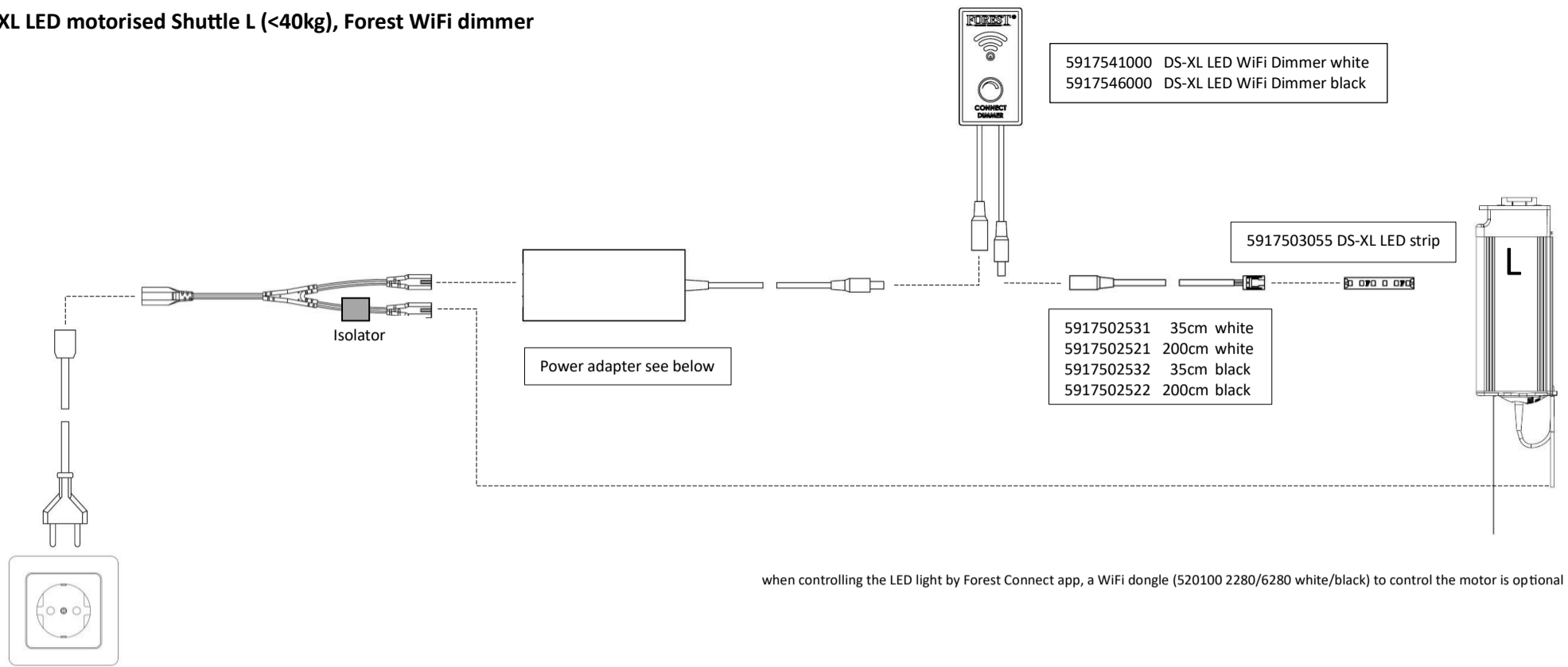
DS-XL LED manual, Forest WiFi dimmer



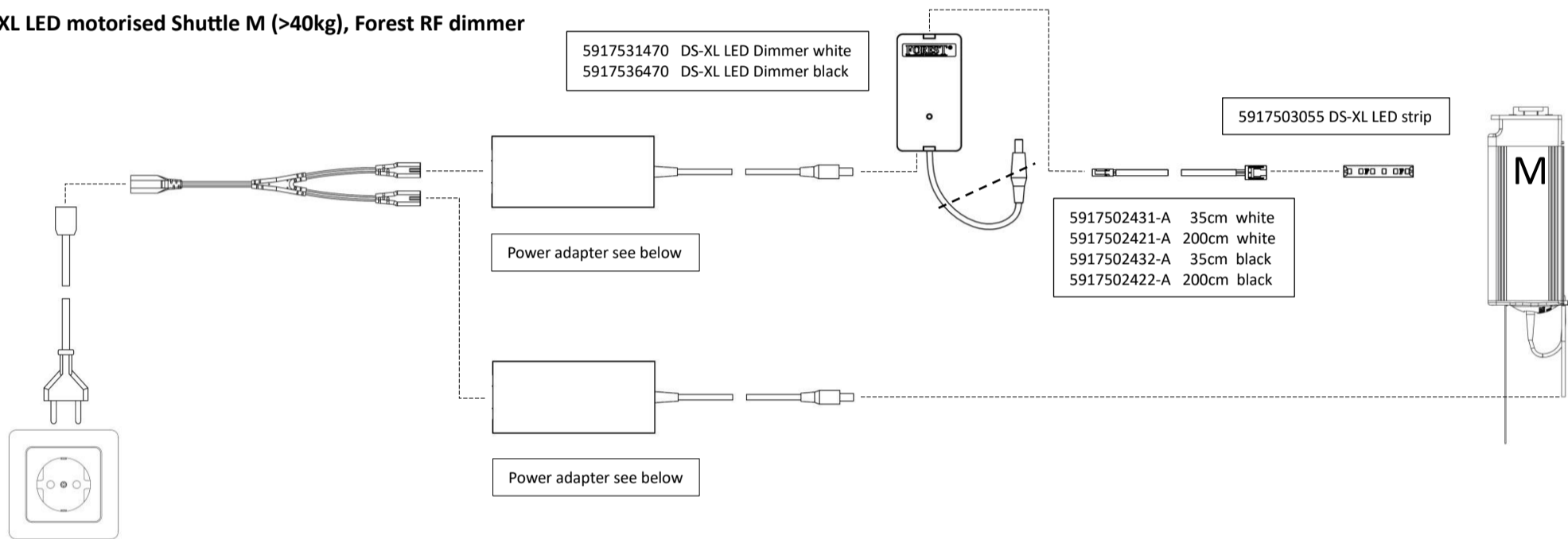
DS-XL LED motorised Shuttle L (<40kg), Forest RF dimmer



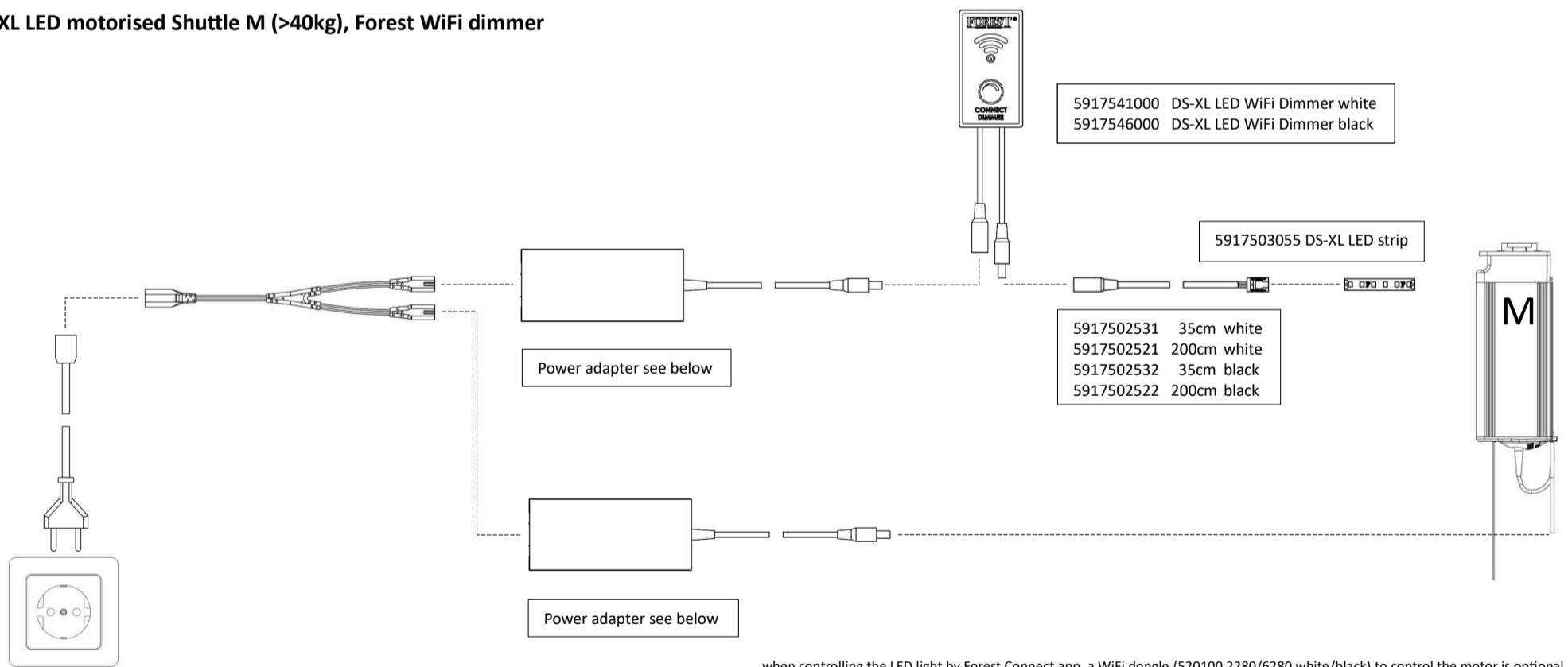
DS-XL LED motorised Shuttle L (<40kg), Forest WiFi dimmer



DS-XL LED motorised Shuttle M (>40kg), Forest RF dimmer



DS-XL LED motorised Shuttle M (>40kg), Forest WiFi dimmer



The 24V power adapter used for DS-XL LED systems is always the Shuttle M adapter set:

Forest adapter set Shuttle M (Incl. cable and holder)	EU	0.5 mtr. white	5201002002
Forest adapter set Shuttle M (Incl. cable and holder)	EU	0.5 mtr. black	5201006002
Forest adapter set Shuttle M (Incl. cable and holder)	UK	0.5 mtr. white	5201002004
Forest adapter set Shuttle M (Incl. cable and holder)	USA	0.5 mtr. white	5201002007